

7 7 Years
Product Warranty
UK Only

2 2 Years
On-Site Warranty
Main-land UK Only



Echo 3

08227 ECH3150-W50

Echo 3 Circular Highbay 100/120/150W 5000K

- High efficiency of 145lm/W
- Diecast aluminium
- Dimmable via a wired 1-10v dimmer switch
- IP65 & vandal resistant (IK10)
- Optional reflectors on all models
- Flicker free

Overview

The Echo 3 provides a high efficiency of 145lm/W or a range of wattage options and 1-10v dimming for further control. The IP65 rating and range of shades means the Echo III is suited for a range of areas both internal and external, with optional emergency gear if needed.



IP65



General Information

Ambient Temperature Range (°C)	-20°C to 50°C
IK Rating	IK10
IP Rating	IP65
Protection Rating	Class I
Installation Area	Internal and External
L80B10 Lifetime (h) @Ta 25 °C	87,000 h

Compliance

LVD	EN 60598-1:2024, EN 60598-2-1:2021, EN 62493:2015+A1:2022
EMC	EN 55015:2019+A11:2020, EN 61000-3-2:2019+A1:2021, EN 61000-3-3:2013+A1:2019+A2:2021, EN 61547:2023
Others	UKCA, CE, RoHS, WEEE

Technical Summary

Product Code	ECH3150-W50
Input Voltage Supply	220-240Vac 50/60Hz
Inrush Current (peak/duration) (A)	100A/300µs
Settable Wattages	100W, 120W, 150W
Driver Code/Part number	Sosen
Power Factor	0.98
Default CCT	5,000 K
SDCM of CCT	<6
CRI	82
Dimmable	N
Flicker	<1%
Lumens Output Maximum	22,500 lm
Maximum Efficiency	150 lm/W
Emergency Luminous Flux	900 lm
L70B50 Lifetime (h) @Ta 25 °C	138,000 h
L80B10 Lifetime (h) @Ta 25 °C	87,000 h
L90B10 Lifetime (h) @Ta 25 °C	41,000 h
Nominal Lifetime (h)	50,000 h
Glow wire temperature(°C)	650
Blue Light Hazard	RG1
Weight	2.55Kg
Dimensions (L x W x D) (mm)	164xØ259
Beam Angle - Lumi (°)	90
LS Energy Efficiency Class	D

Tel: 01635 523 713

Email: sales@kosnic.com

Kosnic.com



Kosnic Lighting KosnicUK KosnicLightingUK

7 7 Years
Product Warranty
UK Only

2 2 Years
On-Site Warranty
Main-land UK Only

Echo 3

08227 ECH3150-W50

Optional Gear

Product Code	Description	Type
EMHB08/ST	Emergency Module 8W Self-test for Kosnic Highbays	Self-test Emergency Module
EMHB08	Emergency Module 8W Manual for Kosnic Highbays	Emergency Module
EMHB10	Emergency Module 10W Manual for Kosnic Highbays	Emergency Module
EMHB10/ST	Emergency Module 10W Self-test for Kosnic Highbays	Self-test Emergency Module
ECH-RMT	PIR sensor remote control for PIR-ZGA (& Echo 2)	Remote Control
EMHB10/DA	Emergency Module 10W DALI for Kosnic Highbays	Emergency Module
PIR-ZGA	PIR sensor with Zhaga connector with ON/OFF 0-10V Dimming	PIR Sensor

Accessories

Product Code	Description	Type
ECH-SHD-PCS	Echo PC bell-shaped shade	Shade

Settable (Default in Bold)		Variable			
Rated Power (W)	CCT (K)	Maximum Current Draw (mA)	Total Luminous Flux (lm)	Power Factor	Light Source Supply
100	5000	450	15000	0.96	215Vdc 440mA
120	5000	540	18000	0.96	215Vdc 520mA
150	5000	670	22500	0.98	215Vdc 650mA

Overview

The Echo 3 provides a high efficiency of 145lm/W or a range of wattage options and 1-10v dimming for further control. The IP65 rating and range of shades means the Echo III is suited for a range of areas both internal and external, with optional emergency gear if needed.

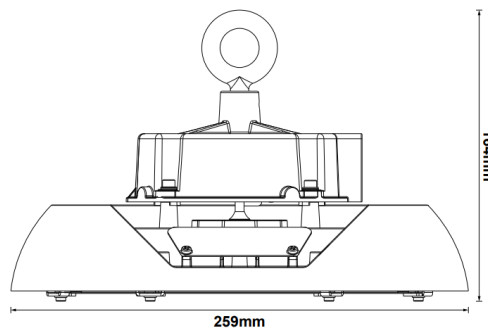


IP65



General Information

Ambient Temperature Range (°C)	-20°C to 50°C
IK Rating	IK10
IP Rating	IP65
Nominal Lifetime (h)	50,000 h
Protection Rating	Class I
Installation Area	Internal and External



ECH3100-W50, ECH3150-W50

Tel: 01635 523 713

Email: sales@kosnic.com

Kosnic.com

